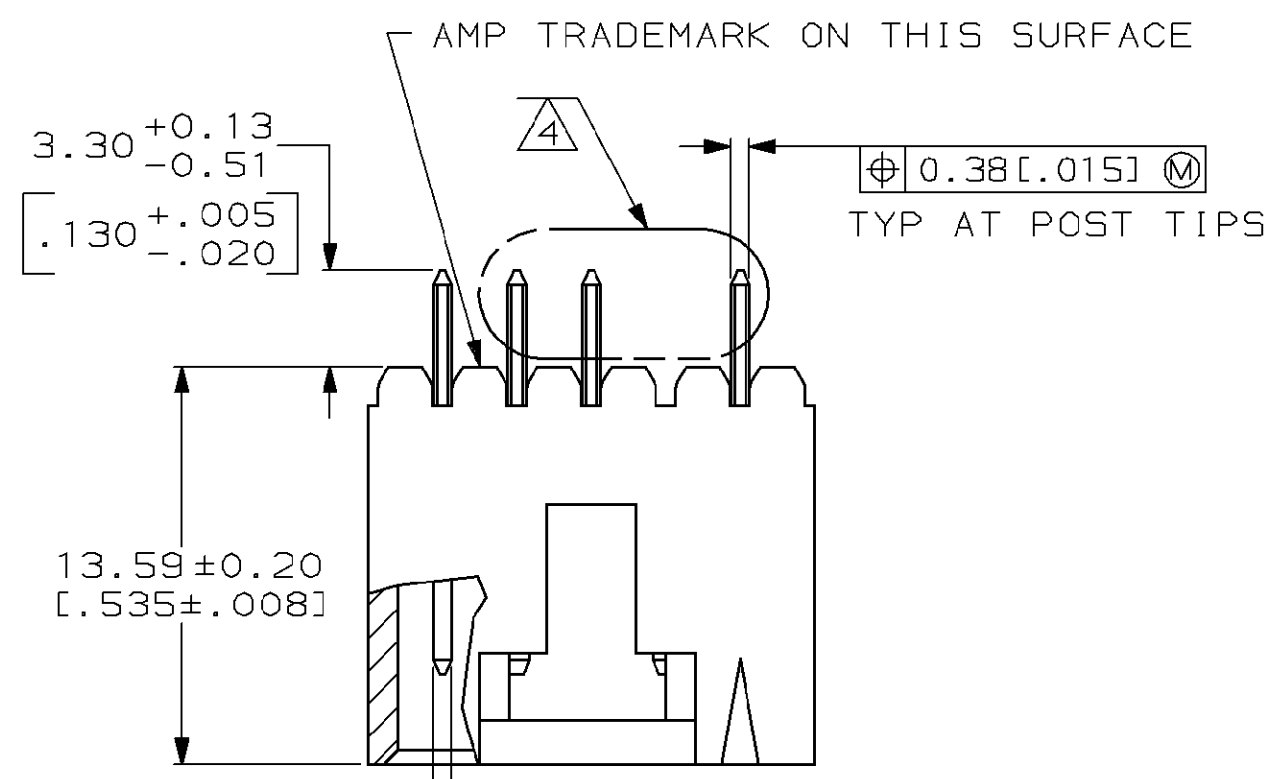


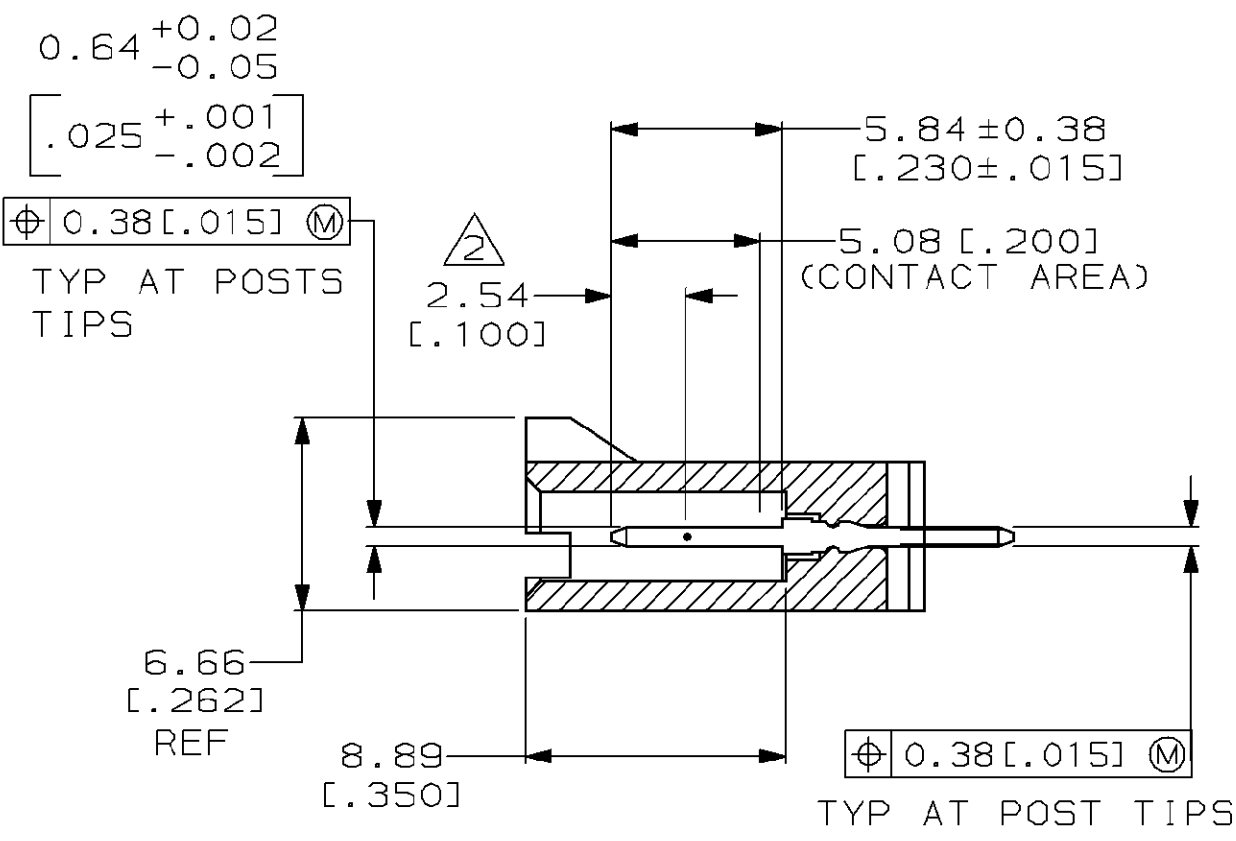
THIS DRAWING IS UNPUBLISHED. RELEASED FOR PUBLICATION
 BY AMP INCORPORATED. ALL RIGHTS RESERVED.

LOC	DIST	REVISIONS			
P	LTR	DESCRIPTION	DATE	DMN	APVD
AD	39	0	RELEASED	10-13-94	EB JG
		A	REV PER 0010-0210-95	3-3-95	EB JG
		B	REV PER 0010-0104-95	3-3-95	EB JG

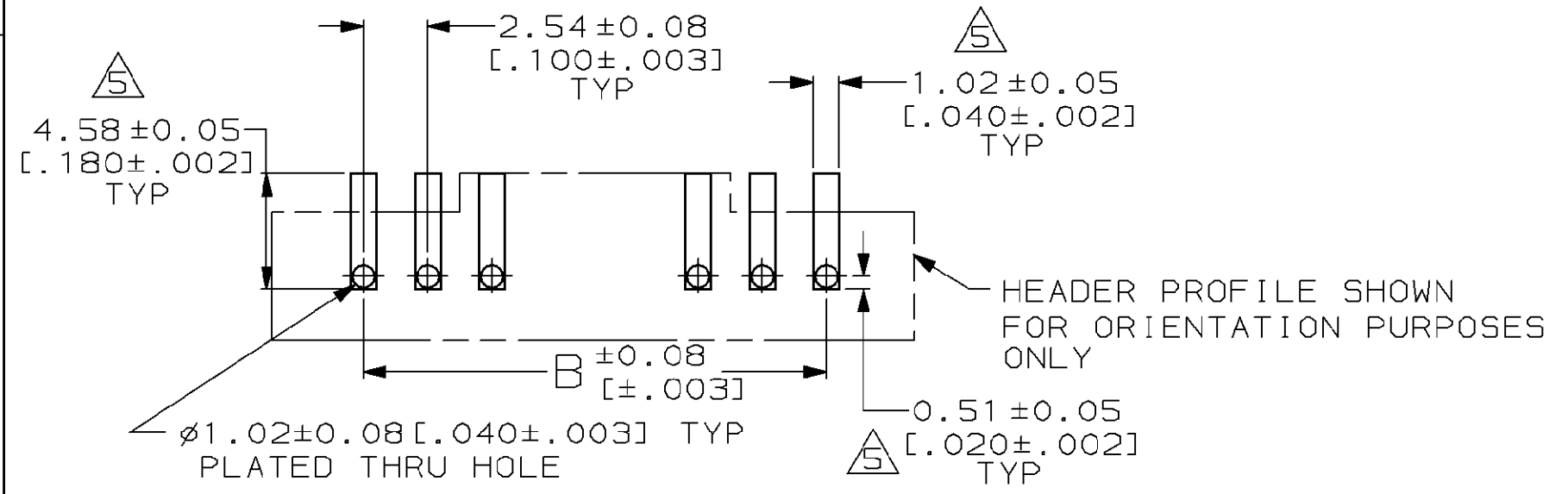
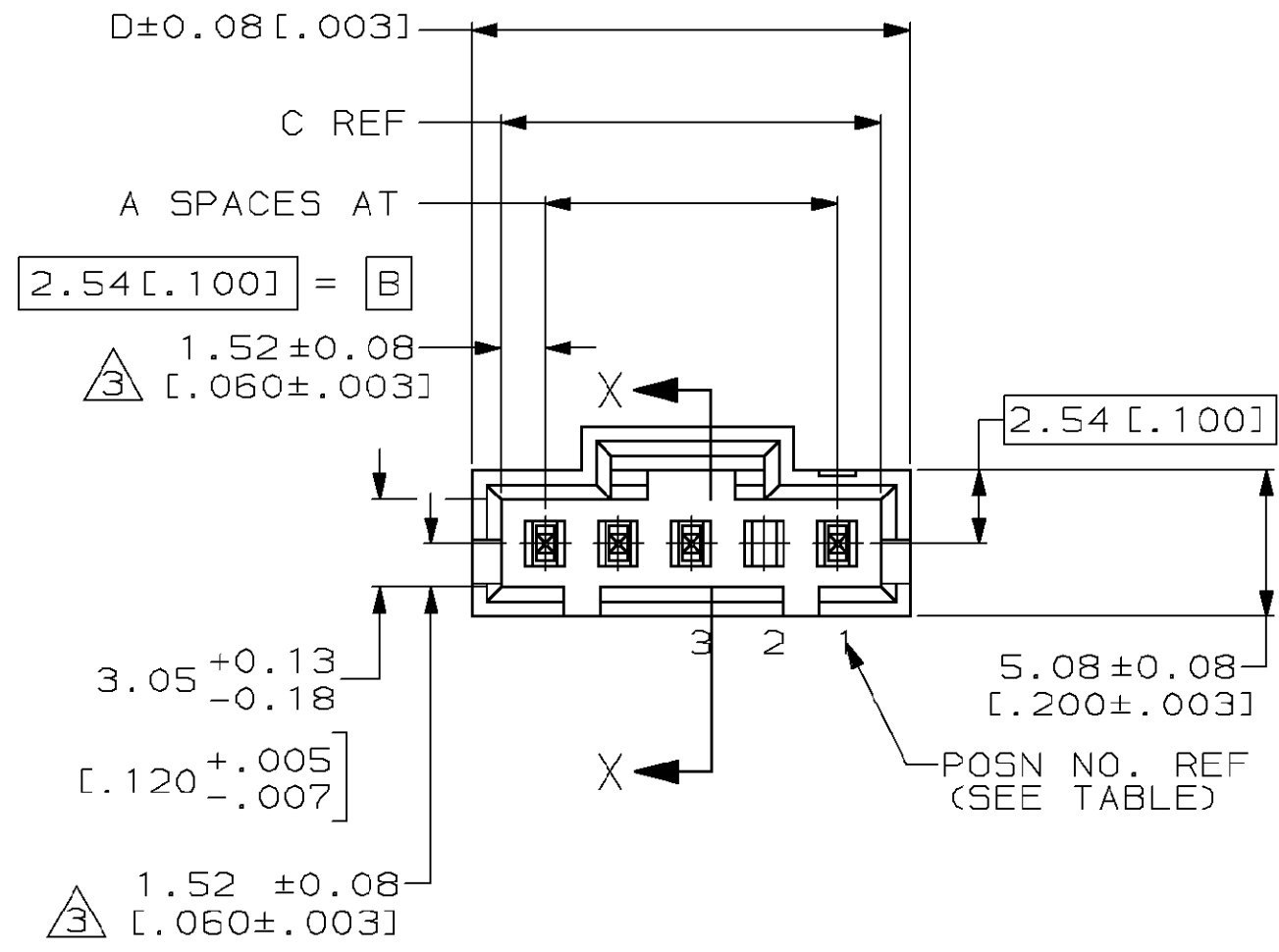


- ① 0.00254[.000100] BRIGHT TIN OVER 0.00127[.000050] NICKEL.
- ② POINT OF MEASUREMENT FOR PLATING THICKNESS
- ③ THE NOTED DIMENSIONS APPLY FROM THE BASIC DIMENSION LINE (NOT THE POST CENTERLINE) TO THE SURFACE INDICATED
- ④ SELECT POST TAILS FORMED TO PROVIDE CONNECTOR HOLD DOWN UNTIL SOLDERED, CONFIGURATION ACCEPTS 0.69-2.03[.027-.080] THICK PRINTED CIRCUIT BOARD (SEE DETAIL Z)
- ⑤ DIMENSIONS NOTED ARE FOR SOLDER STENCIL LAYOUT FOR USE WITH 1.57±0.20[.062±.008] THICK PRINTED CIRCUIT BOARDS.

DETAIL Z
 POST DETAIL TYP
 2 POST MINIMUM



SECTION X-X



RECOMMENDED PC BOARD MOUNTING DIMENSIONS
 RECOMMENDED STENCIL THICKNESS = 0.25[.010]

2	15.24 [.600]	13.21 [.520]	10.16 [.400]	4	5	104916-1
POST NUMBER OMITTED	D	C	B	A	NO OF POSN	PART NUMBER

THIS DRAWING IS A CONTROLLED DOCUMENT FOR AMP INCORPORATED. IT IS SUBJECT TO CHANGE AND THE CONTROLLING ENGINEERING ORGANIZATION SHOULD BE CONTACTED FOR THE LATEST REVISION.		DMN E. BRANDBERG 10-20-94 CHK J. GESFORD 10-20-94 APVD D. DUPLER 10-20-94	NAME AMP Incorporated Harrisburg, PA 17105-3608
DIMENSIONS: mm [INCHES]	TOLERANCES UNLESS OTHERWISE SPECIFIED: 0 PLC ±- 1 PLC ±- 2 PLC ±- 3 PLC ±0.13[.005] 4 PLC ±- ANGLES ±-	PRODUCT SPEC APPLICATION SPEC WEIGHT CUSTOMER DRAWING	AMP Incorporated Harrisburg, PA 17105-3608 NAME D. DUPLER 10-20-94 HEADER ASSY, AMPMODU MTE, VERTICAL SINGLE ROW, 2.54[.100]±, 0.64[.025] SQ POSTS, POLARIZED, WITH LATCHING & HOLD DOWN, HIGH TEMP, SELECT LOAD SIZE A2 CAGE CODE 00779 DRAWING NO C=104916 SCALE 4:1 SHEET 1 OF 1 REV B